

2015

© Hangzhou Color Powder Coating Equipment Co., Ltd

[www.colourspray.com](http://www.colourspray.com)

**HI COLO**

**powder coating  
equipments**

**The best brand in China**

**COLO - Your worldwide partner in powder coating solutions**



To find your products  
by flashcode



ONLY IN COLO!

### Digital Value intelligent powder coating system

For constant use of bigger powder quantities

**CL-161S-F**

*Special features of the new CL-161S digital intelligent control module*

- NEW ACCURATE DESIGN
- SUPERIOR PERFORMANCE
- OPTIMUM COATING RESULTS
- DIGITAL AIR FLOW TECHNOLOGY
- POWDER IS MORE STABLE
- MORE UNIFORM
- BETTER ATOMIZATION
- MORE FEATURES:

Up to 20 coating programs can be stored in the control unit, which includes also 3 preset standard programs. They are perfectly configured to coat flat parts, complicated parts, recoat parts and can be easily selected via the display pilot.



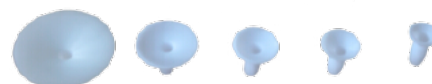
**CL-161S-B-2**



**CL-161S-B**



**Nozzles for wide usage!**





# COLO-800D-L2 Series

Powder Coating System

## Intelligent powder coating System



The mobile cart coupled with the industry's first 360° rotating control unit offers flexibility for adjustment in any work location.



vibration manual spray system

for FAST COLOR CHANGES



COLO-800D-L2-B



COLO-800D-L2

Applicable to a large number of coating job with powder keg 50L

### Innovative powder coating System

Advanced coating features such as C-Pulse, a coating option that is said to penetrate tough Faraday cage areas, reducing time and material consumption

#### Enhanced coating quality of flat and complex parts

- Reduced operator fatigue
- Effective coating in corners and recesses
- Improved recoating ability



CL-668-L3



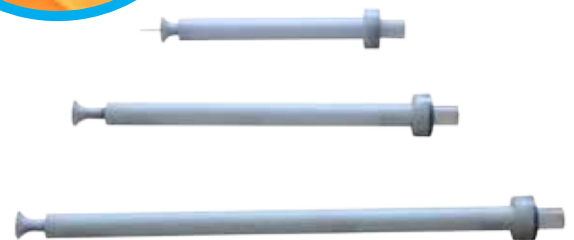
Good for flat spaces



Any place will be coated efficiently



Any deep inside part will be coated well with extension nozzle



Nozzles and long caps

ONLY IN COLO!

## Pre-programmed Mode Control Unit

The Colo-660 features an innovative design with four pre-programmed control options that allow you to easily coat a variety of parts.

### COATING MODE

Operator controls the voltage and current for maximum efficiency

### RECOAT MODE

Adjusts both the voltage and current for efficient recoating

### CORNER MODE

Adjusts voltage while maintaining current output for coating complicated corners and recesses

### PULSE MODE

Rapidly recharges the powder for higher transfer efficiencies



Colo-660



Colo-660V



Colo-660T-06C



Colo-660T-B



Colo-660T-H

(Includes Powder Coating robot , powder guns and control cabinet , and Optional sieve equipment)



Automatic Robot



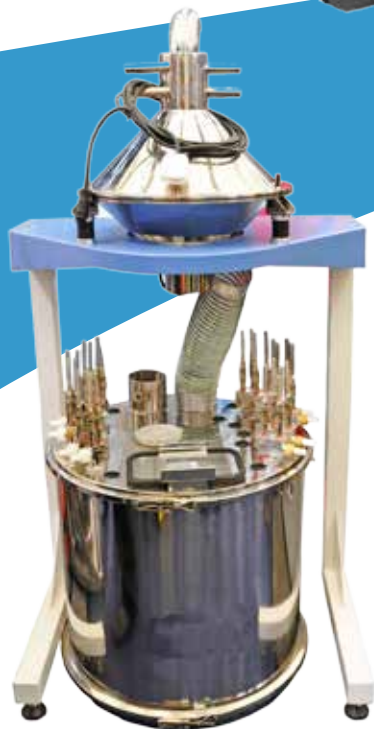
COLO-800D-A



Control Unit Cabinet



CL-161S-A



Powder sieve equipment



manual powder gun system

We supply different package for your powder coating line ,details please inquiry with us

## Electrical conductive powder hose



12\*20mm



10\*15mm/11\*16mm/12\*18mm



## Kci family replacement parts



**COLO-G-2F-A**

## New 2F family parts



**G91-300**



**G91-150**



**G90(2F)**



## Other brand replacement



We can produce all kinds of spare parts according to your sample or drawing. More details please contact us.

## New X1 family parts



**Lab spray booth**



**COLO-S-04548-T**  
(W400mm\*  
H500mm\*D 480mm)

**Lab curing oven**



**COLO-4355-T**  
(W450mm\*  
H500mm\*  
D 350mm)



**Colo-S-0711**  
(700width x  
1000 height x  
800 depth)



**Colo-V-T2**  
Portable Voltage tester



**Colo-8822**  
Thickness Meter



**Colo-8856N**  
microprocessor thickness meter



**Colo-0686**  
Gloss Meter



The manual coating booth COLO-S series are ideal for small batches and highest quality.

**Value • Flexibility • Performance**



**COLO-S-1517**



**COLO-S-2315**

**100% Polyester filters, quick-release type**



**simple PLC control unit**

## THE ADVANTAGES OF THE COLO-S BOOTH:

- Powder coated steel booth, moveable
- Delivered ready for connection
- Integrated Illumination
- Mobile powder collecting hopper
- Simplified filter cartridge for changing
- Supervision of minimal exhaust air volume

### Technical Data

### COLO-S-1517

### COLO-S-2315

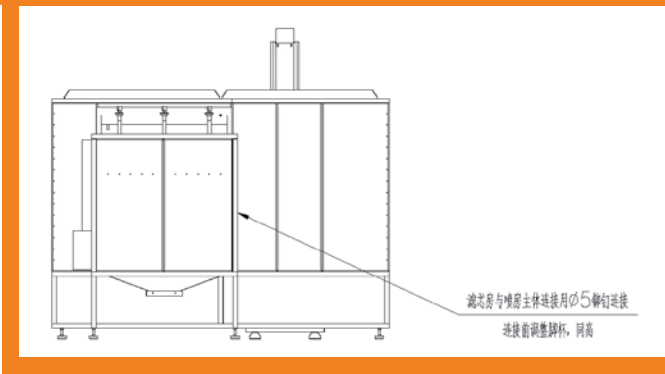
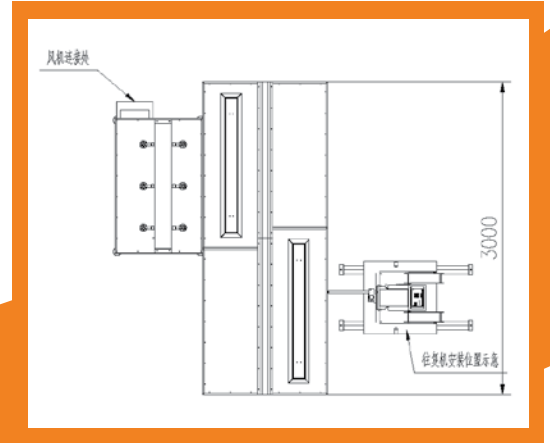
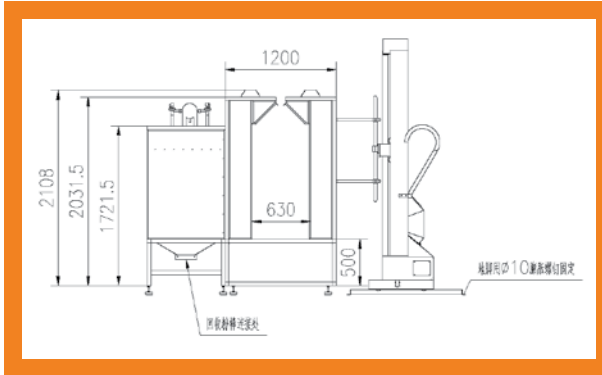
No.of filter elements	2	4
Extraction volume	4000Nm <sup>3</sup> /h	6600Nm <sup>3</sup> /h
Fan power,effective	2.2kw	4.0kw
Voltage/Frequence	3x380-420V/50HZ ( or as request )	
Compressed air consumption	15Nm <sup>3</sup> /h/6bar input pressure	
Weight (approx.)	480kgs	580kgs

### Booth dimensions

Width	1500(1580) mm	2300(2550) mm
Depth	1000(2000) mm	1500(2100) mm
Height	1700(/2150) mm	1500(2240) mm

The coating booth is designed for the double-sided automatic or manual coating with a conveyor system.

Parts enter the booth through the conveyor openings, then pass the coating operator stations to receive the coating. The powder overspray is entrained within the air stream moving to the collector module, where the cartridge filters will remove the particulate. The containment air is drawn through the air handler's primary and final filter system before being discharged back into the room. Coated parts exit the booth for conveyance to the cure oven.



## COLO-S-3212



### Operator dimensions

620width x 1500 height x 2920 depth (2PCS)

### Overall dimensions

1200width x 2033

height x 3000 depth

### Weight

500kg

### Power supply

Electric

### Nominal power

3.5kW

### Voltage

380V( can be different as request )

### Frequency

50-60Hz

### Filters

Polyester

### Filters count

3

### Filters hang type

easy for change

### Filter cleaning system

Pneumatic

### Warranty

12 months

## Cyclone recovery system for manual or automatic booth

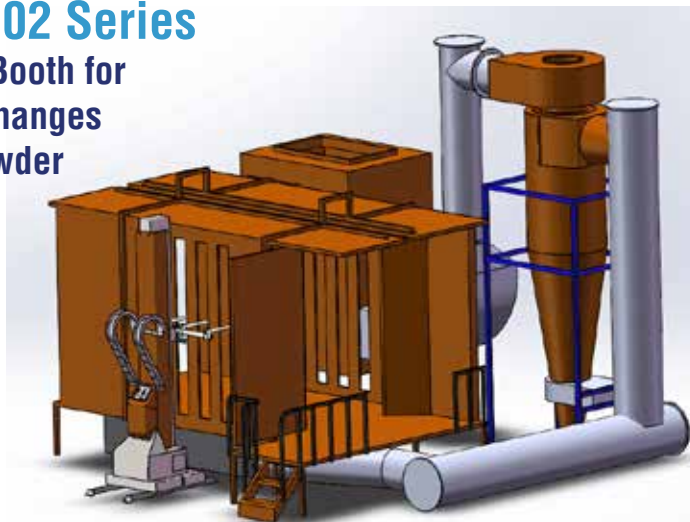


**COLO-S-B Series**  
**AUTOMATIC POWDER**  
**BOOTHS** For frequent  
 colour change,  
 very high painting output

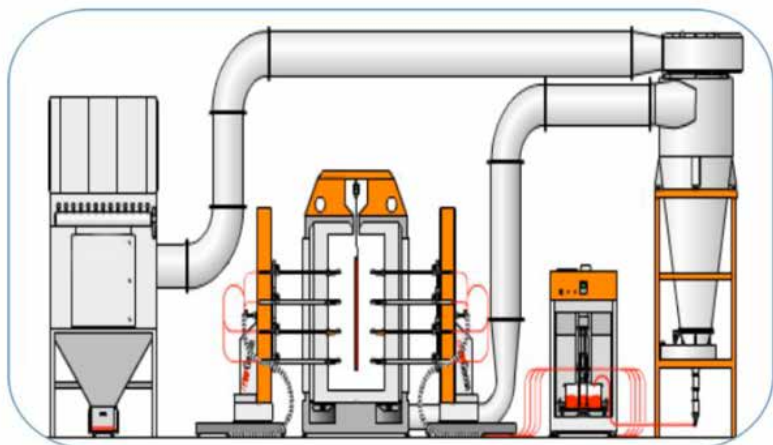


**COLO-S-B-01 series**  
**CYCLONE MANUAL**  
**BOOTHS** Fast  
 colour change,  
 for manual usage

**COLO-S-B-02 Series**  
 Cyclone Auto Booth for  
 many colors changes  
 in the auto powder  
 coating line

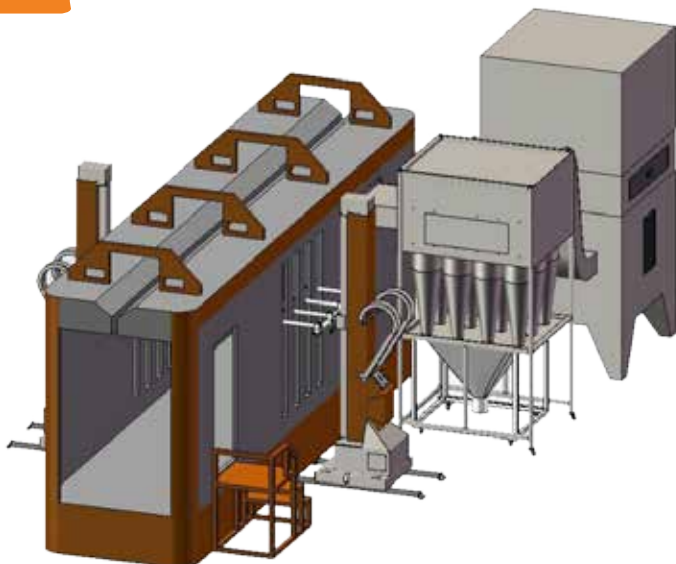


We adopt the most advanced mono cyclone pulse recovery system, which can change color in fifteen minutes Large cyclone separator powder recovery efficiency 98% Powder collection hopper and cyclone activity connected, easy to operate

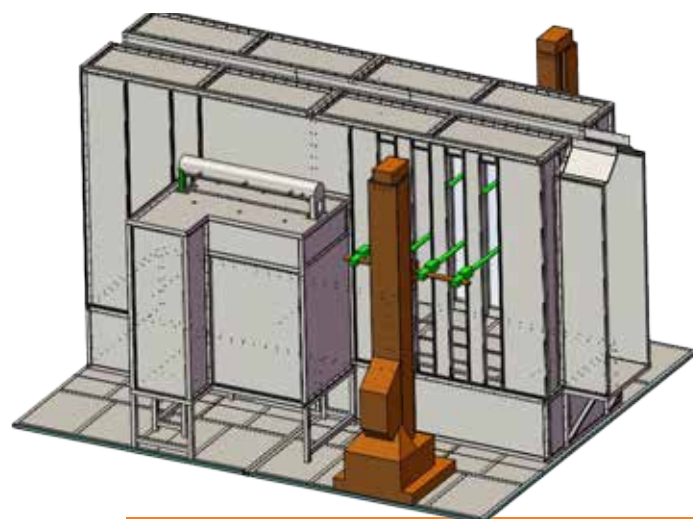


Bottom of barrel has recovery powder pump, recovery powder from powder pump automatically to vibration sieve and after sieve powder filtered to center of powder

**For more information, speak with your COLO representative or contact your COLO regional office.**



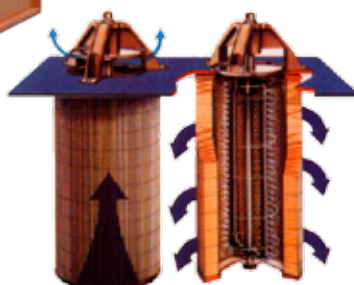
**COLO-S-Cyclone Booth**



**COLO-S-Basic Type**



**Air filter system**



**cyclone device**

- Including : a large or multi cyclone separator, Movable hopper,
- Venturi powder pumping
- Post filter device
- Cartridge filter
- Balanced-rotor rotary cleaning device
- Ventilation system

**Mono-Cyclone**

For automatic spray booth you can choose the basis type or small multi-cyclone or mono big cyclone model according to your colors number and detail request



**Multi-Cyclone**

## Cheap powder tank

COLO-55A  
(D:36,H55mm)

For more hopper information please check 2012 catalog



## Powder application equipment and accessories

## COLO-4000 semi-auto sieve machine



## Spraying nozzle

## Carriage filter

100% polyester, common or imported materials can be supplied as request



## Common type filter available sizes:

325\*215\*600mm  
320\*220\*600mm  
325\*215\*900mm  
320\*220\*900mm

## Quick-release type filter available sizes

325\*215\*600mm  
325\*215\*900mm

## Electric powder coating oven



**Thick insulation  
100-150mm**

### Forced Air

Forced air circulation with both walls and floor, curing a very good temperature uniformity result



### Automatic controls-simple PLC system

Control provides high precision heating process, it offers all the features you need. The LED display allows you to set the temperature, as well as the duration of heating process at the desired temperature.



Model	Worksize dimensions	External dimensions	Fans amount	Heating power	Nominal voltage	motor power
Colo-0910	W900 H1000 D1000	W1200 H1400 D1300	1 pcs.	4kW	380V/220	
Colo-1864	W1600 H1800 D1400	W1900 H2200 D1700	1 pcs.	12kW	380V/220	0.75kW
Colo-1515	W1500 H1500 D1500	W1600 H1930 D1800	1 pcs.	13.5kW	380V/220	0.75kW
Colo-3176	W1650 H1700 D3200	W1950 H2100 D3600	1 pcs.	30kW	380V/220	1.5kW

## Gas / LPG fired powder coating oven



### Gas or Diesel as requested Colo-3210

(W2000mm x H1900mm x D3100mm)

Industrial curing batch oven.  
front and back door, heat Source: LPG

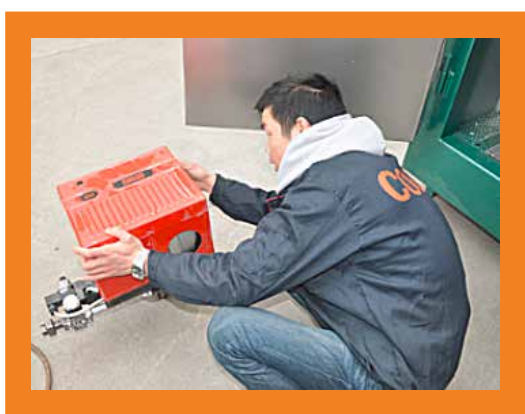


- Precise temperature control, furnace tolerance of +/- 5 degrees Celsius. Indirect heating system with a heat exchanger.
- Hot air is transferred from the bottom up.
- Heat exchangers used in seamless steel tubes 8x8 array, use the combustion liner 310S stainless steel seamless pipe thickness of 3-4mm.
- Closed-round clean efficient heat circulation system

## Gas / LPG fired powder coating oven



Burner can be put in the side or top place  
trolley designed as request  
Exported into worldwide  
Italy imported burner



Model	Worksize dimensions W•H•D mm	Fans amount	Burner power	Heating power	Nominal voltage	motor power
Colo-0813	W800 H1500 D3000	1 pcs.	100,000cal	380V/220	380V/220	2.2kW
Colo-1732	W1700 H2200 D3000	1 pcs.	20,000cal	380V/220	380V/220	3kW
Colo-3210	W2000 H1900 D3100	1 pcs.	20,000cal	380V/220	380V/220	3KW
Colo-4772	W1606 H2060 D4797	1 pcs	30,000 cal	380V/220	380V/220	5.5KW



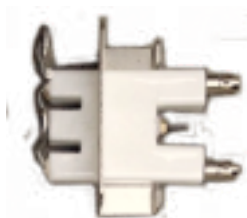
## Infrared Catalytic Gas Burner



Electric pulse igniter



Solenoid Valve



Ignition pin



Infrared Catalytic Ceramic Plate



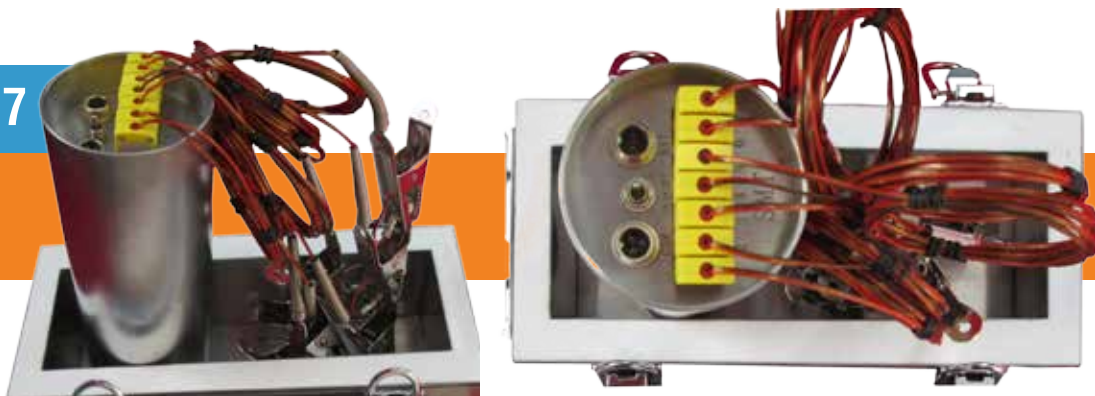
Working

### Specification

Model	Dimension mm	N.W. kg	Gas Type	Heat Output		Consumption	
				KW/h	Kcal/hr	NG(m3/h)	LPG(kg/h)
HD162	570*130*175	8	NG/LPG	6.3	5400	0.49	0.45
HD242	840*130*175	11.7	NG/LPG	9.4	8120	0.75	0.68
HD262	930*130*175	13	NG/LPG	10.9	9360	0.8	0.74

Note :When you order please advise the source type and working voltage details

## COLO-SMT-7



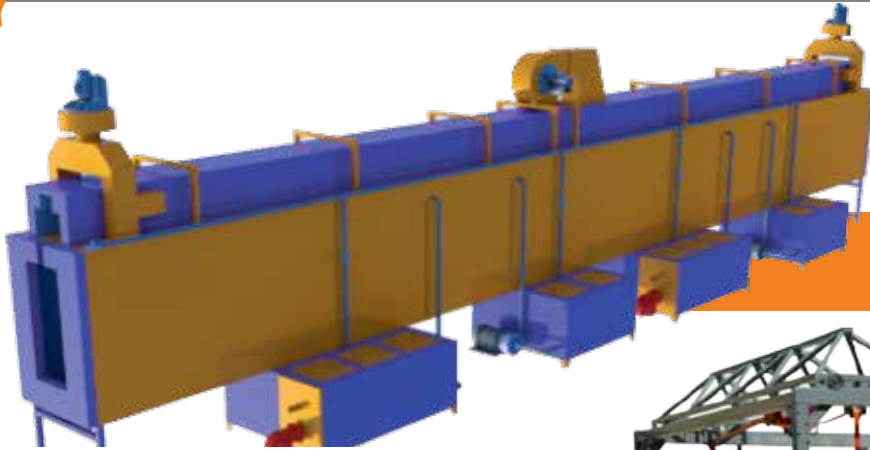
Channel Number	7 Channel				
Temperature	0~500C	Thermocouple	K	Memory	128 K
Resolution	0.5c				
Use Time	600min under 100C ,or 120min under 200C or 60min under 300C				
Recorder Time	4h under sample rate 1s				
Sample Rate	1s, 2s, 3s, 5s, 8s, 10s, 12s, 20s,40s, 60s				
Thermal Barrier	280(length) x 120(width) x 100(height)				
Setting Software (TrendReader V1.22 )	1) To select or unselect each channel with Yes or NO 2) To verify the accuracy separately for each channel 3) Easy to choose sample rate 4) Switch ON/OFF				
Analysis Software (TrendReporter V1.0)	1) To display temperature data 2) To calculate heating rate between two temperature level 3) To calculate total time above two different temperature 4) To Calculate Peak Temperature 5) To Compare different temperature profile 6) To Print Report				



## COLO-SMT-4

Channel Number	4 Channel
thermocouple	K
Use time	60min under 300C .
Thermal Barrier	325(length) x 125(width) x 125(height)
Memory	per channel can record and store 16 000 data
Sample Rate	1s, 2s, 3s, 4s, 5s, 6s, 10s, 20s, 30s, 1min, etc., can be selected by the user
Computer request	windows 98, 2000, XP ect ,through the computer to print out temperature curve
Setting Software	a) sampling period Optional b) start / stop recording easy
Analysis Software	a) The curve optional display or not display b) can be calculated at any temperature between the two heating rate; c) be able to calculate the temperature higher than a four time; d) can be calculated peak temperature; e) be able to compare test data 2-5 times
Standard configuration	* Four-channel Temperature Tracker * 4pcs of 1.75 meters temperature probe * Computer connection cable * Data processing software, data analysis software * Stainless steel incubator, including suspension handle * Operating Manual





**Spraying tunnel**

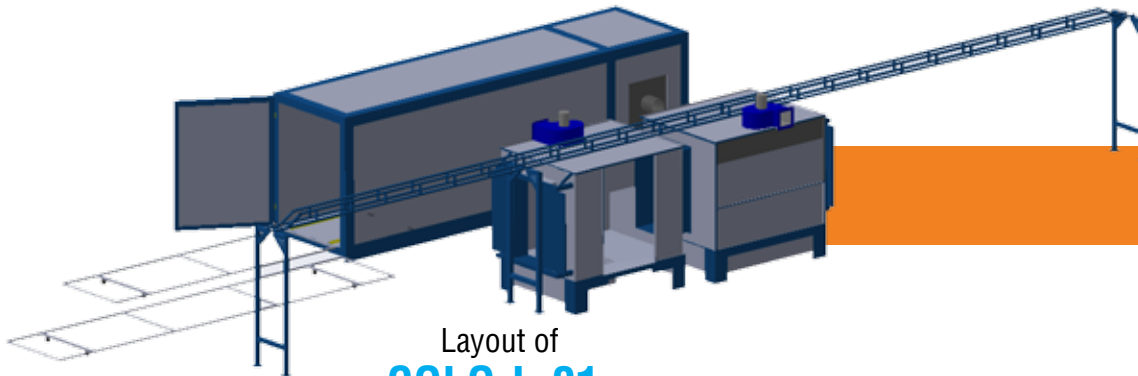
**Before design a powder coating line for you please supply below information:**

1. Product name ,material , If possible sent photos
2. The workpiece Max size(LxWxH), max weight, and output per 8hours. Or advise the line speed you need
3. What kind of heating energy for oven, such as electricity, diesel, or gas energy
4. How many kinds of powder colors
5. What's the size (Length x Width x Height)of your workshop?Supply workshop drawing
6. Advise industrial and living electricity voltage in your factory, single-phase220 v or three-phase 380/ 415 v

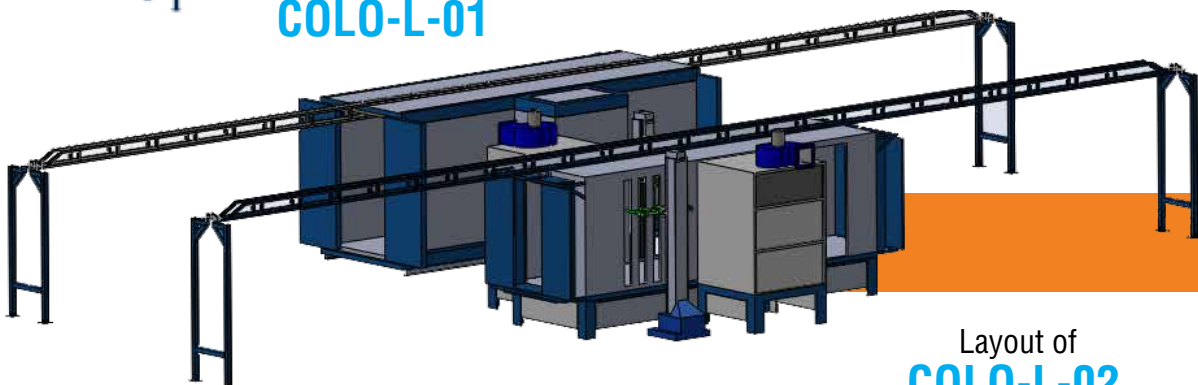


**dip tank with Hoist**

## Layout Of Powder Coating Line For Your Special Request

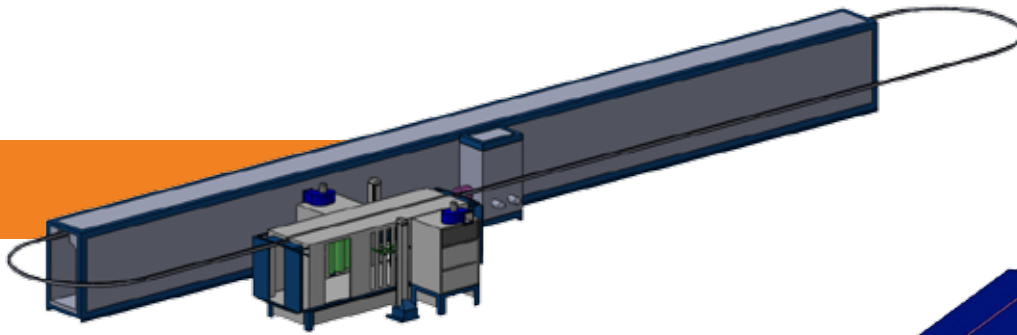


Layout of  
**COLO-L-01**

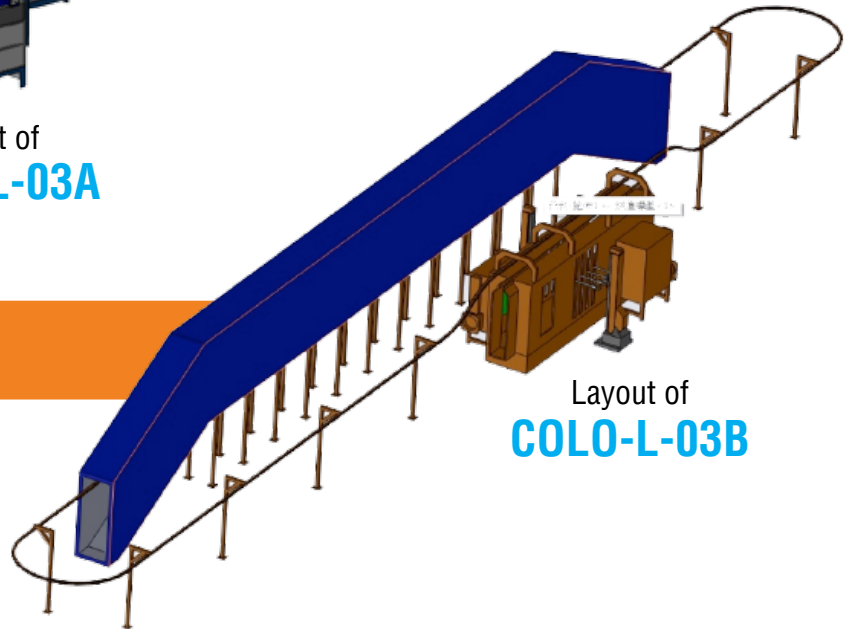


Layout of  
**COLO-L-02**

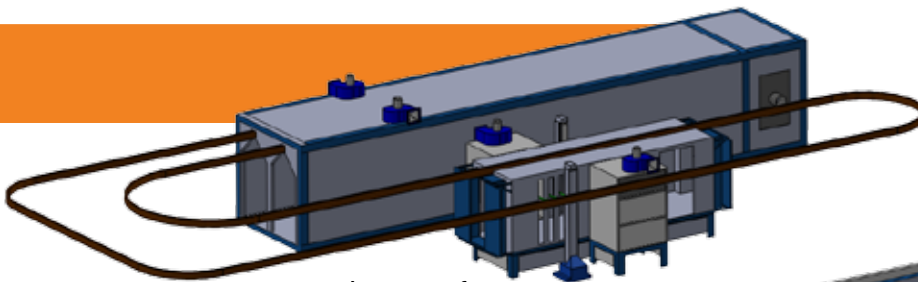
## Layout Of Powder Coating Line For Your Special Request



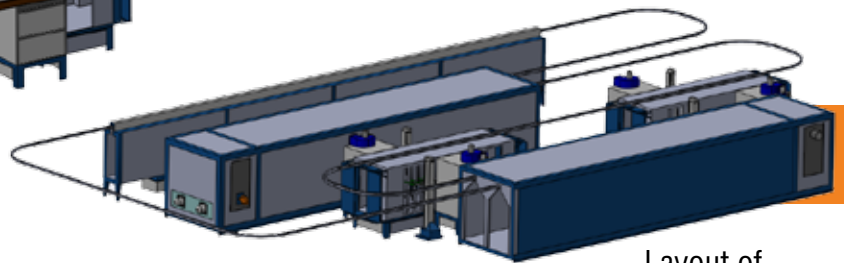
Layout of  
**COLO-L-03A**



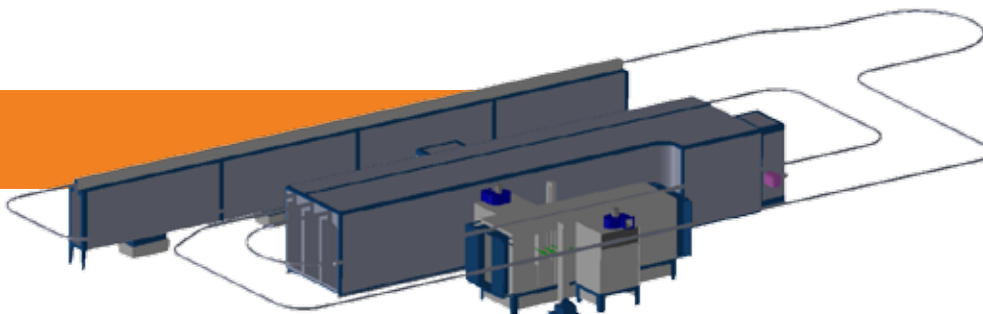
Layout of  
**COLO-L-03B**



Layout of  
**COLO-L-04**



Layout of  
**COLO-L-05**



Layout of  
**COLO-L-06**



**Pre-treatment**



**Dry Oven**



**Heating System**



**Spray Booth**



**Recovery System**



**Conveyor System**



**Auto Parts Powder Coating Line**

## Chain (loading up to 12kgs/30kgs/50kgs/100kgs/250kgs or special weight)



150 type UH-50750HA



150 type UH-5075-S



200 Type



458 type with trolley



Drive Unit



Tension Unit



Track



Control Unit

## Spreader (custom design available)



G-Type



S-Type



C-Type



U-Type



Common Type



Auto Lubricator for conveyor chain system



Manual oil cup



# Why choose COLO?

**Professional team**

**Excellent service**

**The best brand in China**

**Our services:**

-  **design**
-  **drawing**
-  **illustration**
-  **commissioning**
-  **training**
-  **technical support**

**technical support for all kinds of powder coating line,  
manual or semi-auto or full auto lines**

© Hangzhou  
Color Powder  
Coating Equipment Co.,Ltd



CONTACT US:

**Telephone:** (86) 0571-8819 4898  
**Mobile:** 0086 13906508694

**Fax:** (86) 0571-8533 5616

**Address:** No 57 xiang chang RD,  
sandun town, xihu district,  
hangzhou,china.

**Email:** sales@colourspray.com

**Website:** www.colourspray.com